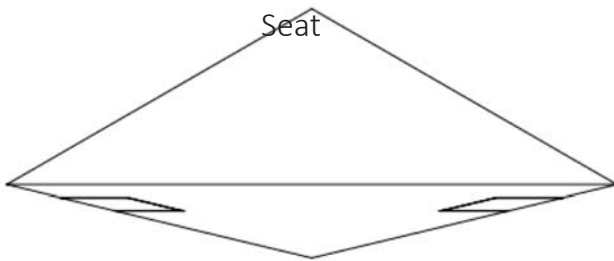


3D Corner Seat Installation Guide

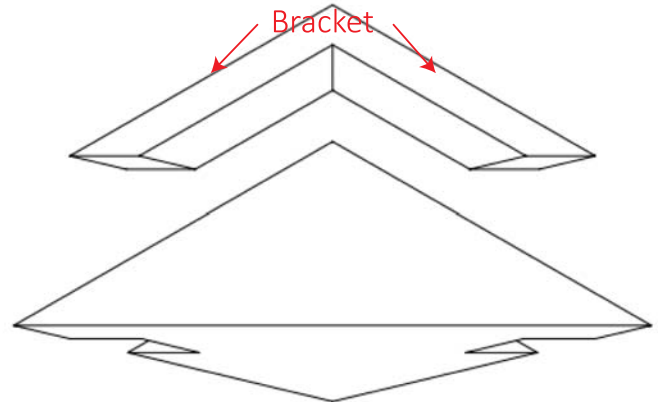
Jan 2020-01



For most up-to-date instructions, visit www.ubertile.com




View of Seat **Assembled**




View of Seat **Un-Assembled**

Required Materials
(not Included)

Uberseal




TILING THINSET
ANSI A118.4




Included Materials


Fiber Mesh



Washers
x6




Screws
x6




Recommended Tools (not Included)


Level




Caulking Gun




Flat Spreader




Tape Measure



Power Drill



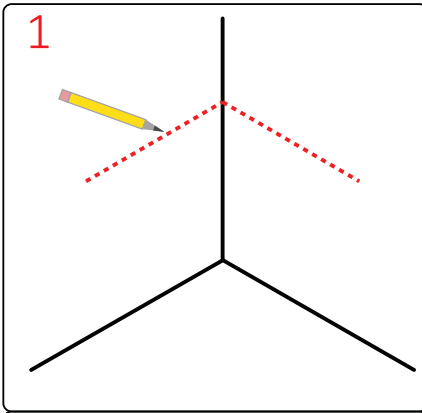
Marking Device



Requirements:

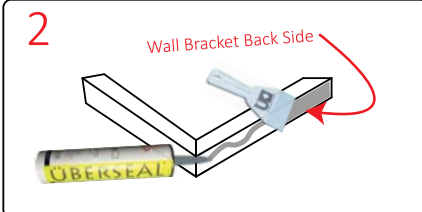
- The Ubertile Corner Seat is intended to be installed OVERTOP of 1/2" Uberboard Waterproof wall panels.
- Wood backing is required behind the 1/2" Uberboard Panels to properly fasten the seat.

Instructions:

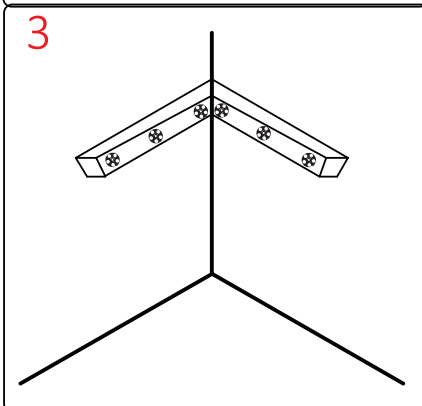


-Mark on top of the installed and waterproofed 1/2" Uberboard Wall Panel where your seat will be installed.

-Ensure you have wood backing behind 1/2" Uberboard Wall Panels.

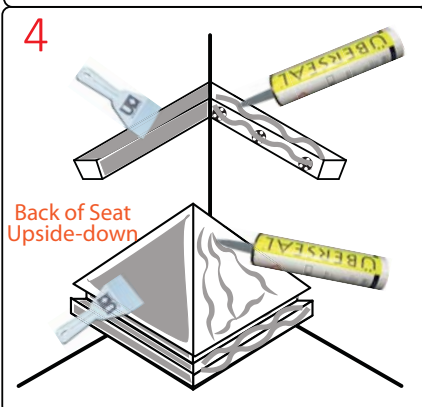


-Apply liberal amount of Uberseal joint sealant to the back side of the corner bracket that will be affixed to the wall. Use a flat spreader to smooth the Uberseal



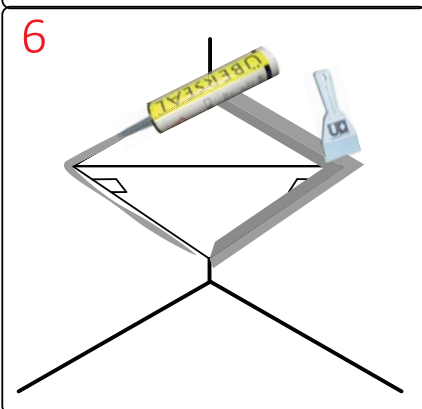
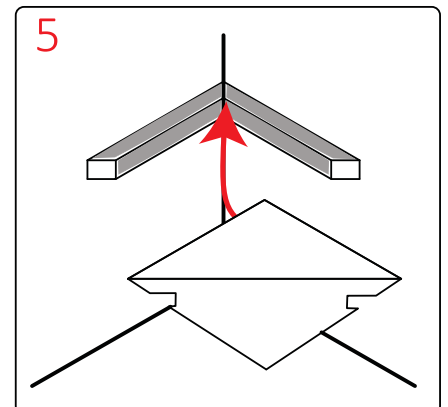
-With the Uberseal still wet, press the corner bracket onto the wall in the proper position.

-Use 3 screws and 3 washer per bracket side to fasten the bracket.



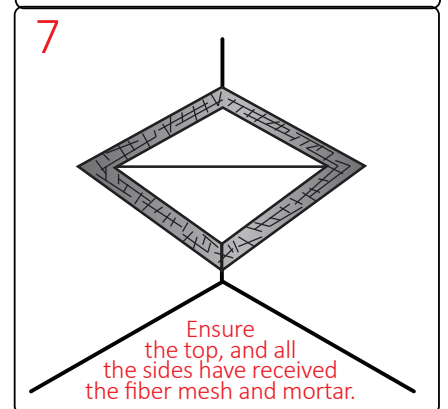
-Apply Uberseal to the top and side of the corner bracket. Ensure the screw and washer are fully covered. Apply Uberseal on seat bracket cutout where it will contact the bracket and the backs of the seat where it will contact the wall. Smooth with a flat spreader.

-With the Uberseal still wet, slide the bench onto the wall brackets.



-Apply bead of Uberseal to the entire perimeter of the seat and smooth with a trowel (with approximately 1" of Uberseal overlapping onto the other surfaces)

-For maximum strength, once the Uberseal is cured, apply Tile Thinsert Mortar to the perimeter of the seat to wall connections and embed the fiber mesh tape into the mortar.



-Please ensure to slope seat top tile 2% or 1/4" per foot slope for water drainage.