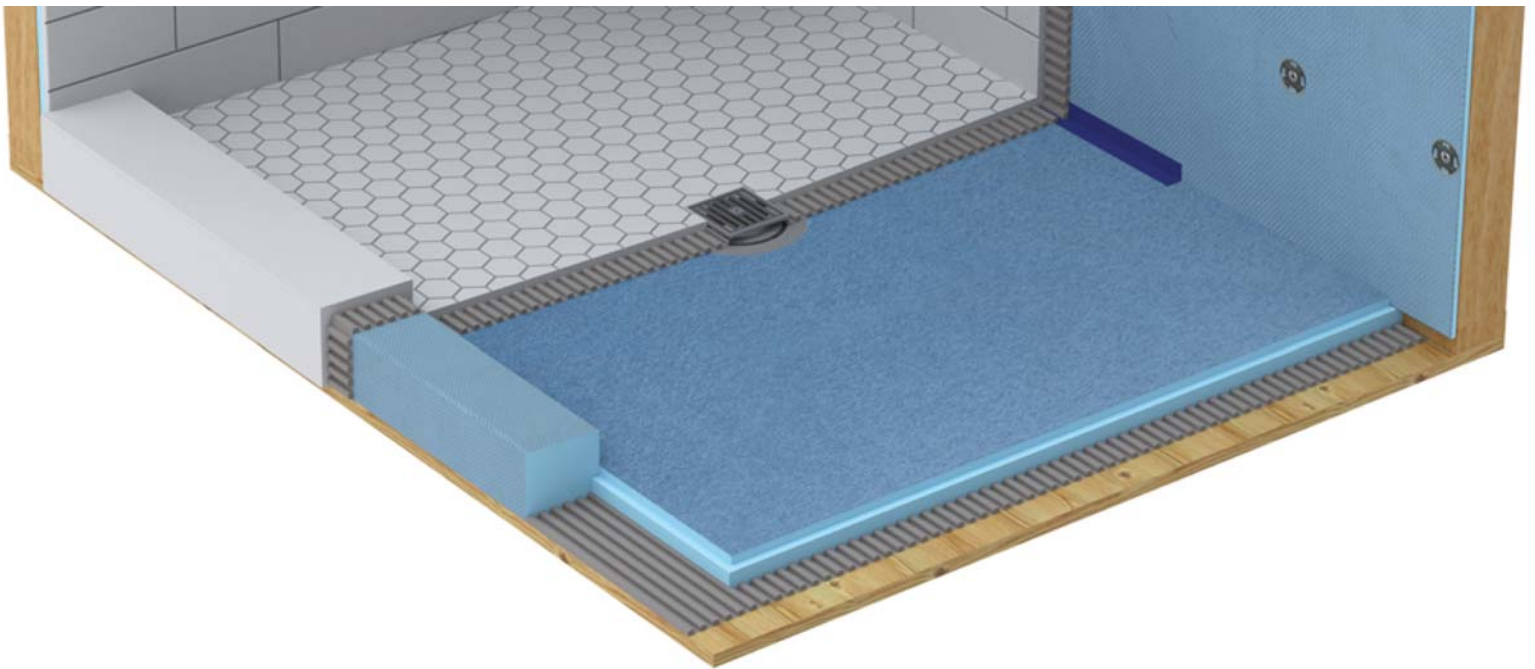


## Übertile® Waterproof Pre-sloped Shower Curb / Threshold Installation Manual



Technical Questions?  
1-877-759-5755 (M-F 9am-5pm, MST)  
tech@ubertile.com



scan for most current  
installation manual



WWW.UBERTILE.COM

The information within this guide is for reference only and does not supersede requirements from other product manufacturers or building codes.

Consult and follow manufacturer's specific installation and safety instructions.

Rudiger Group Inc bears no responsibility or liability for damage(s) resulting from the product installation.

All tasks performed by the product user are at the own risk and liability of the user.

Information may change without notice. Visit [www.ubertile.com](http://www.ubertile.com) for most current revision of document.

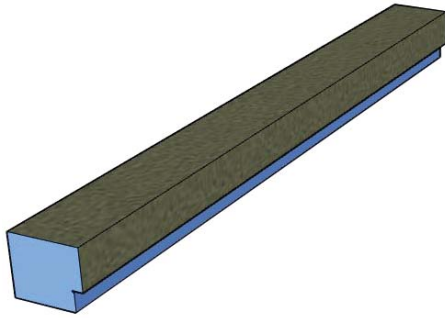
Contact 877-759-5755 during business hours for MSDS.



Document Printed In Canada

rev 08-23-24

## Required Materials:



Übertile Presloped Shower Curb



überseal™ joint sealant



Thinset Mortar  
ANSI A118.4 or

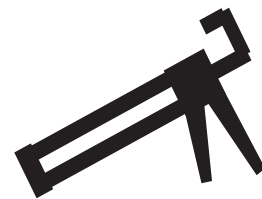
## Required tools:



Tape Measure



Hand Saw



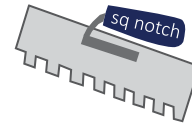
Caulking Gun



Marker / Pencil



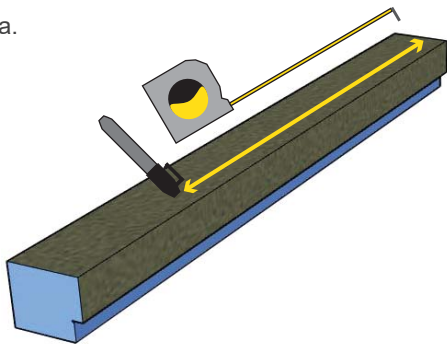
überseal™  
spreading tool



3/8"x3/8" sq  
notched trowel

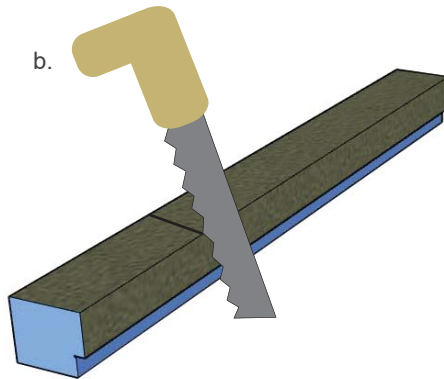
## Cutting the Curb

a.



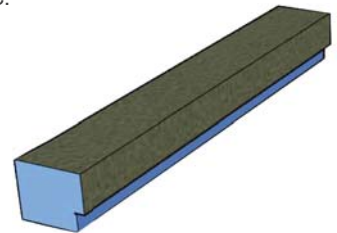
Measure the curb.

b.

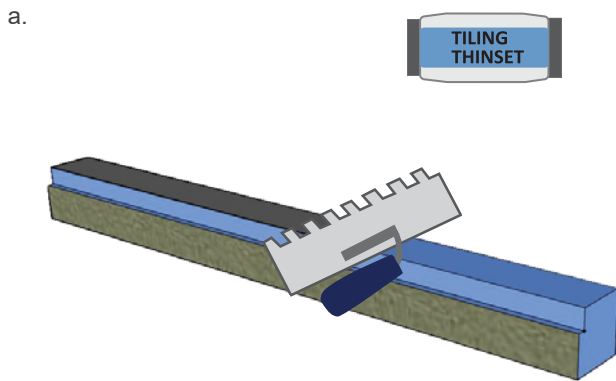


Use "Hand Saw" to cut.

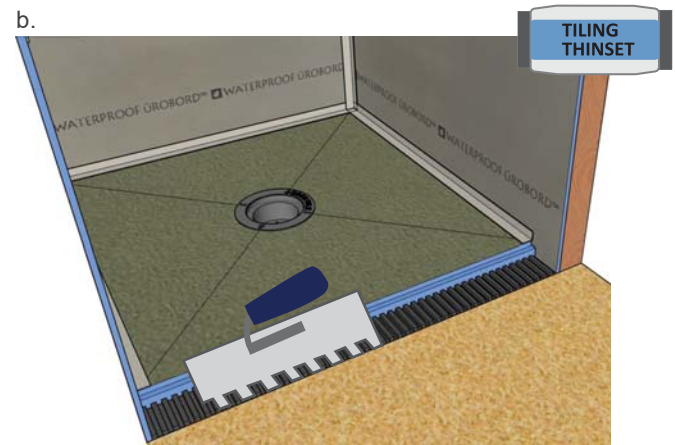
c.



## Installation: Step 1.

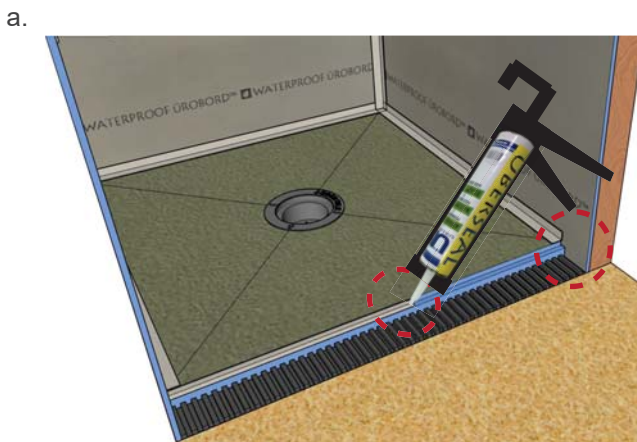


Using the flatside of the trowel, spread “Tiling Thinset” onto the underside of the “curb”.

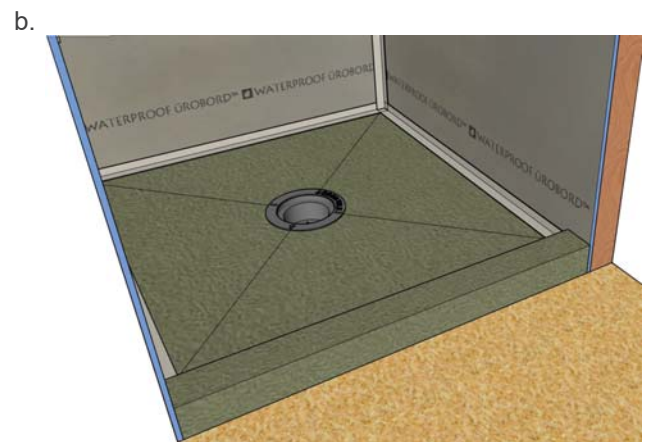


Using a “3/8 x 3/8 notched trowel”, spread “Tiling Thinset” onto the subfloor.

## Installation: Step 2.

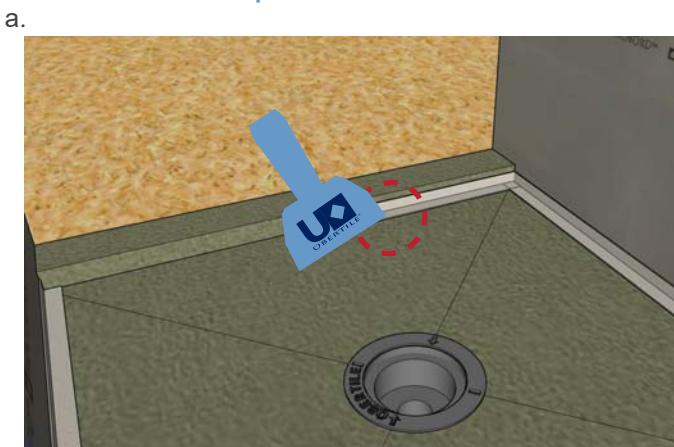


Apply a generous bead of “überseal™ sealant” to the groove on the “Ubertile Shower Pan” and where the “Curb” will meet the wall.

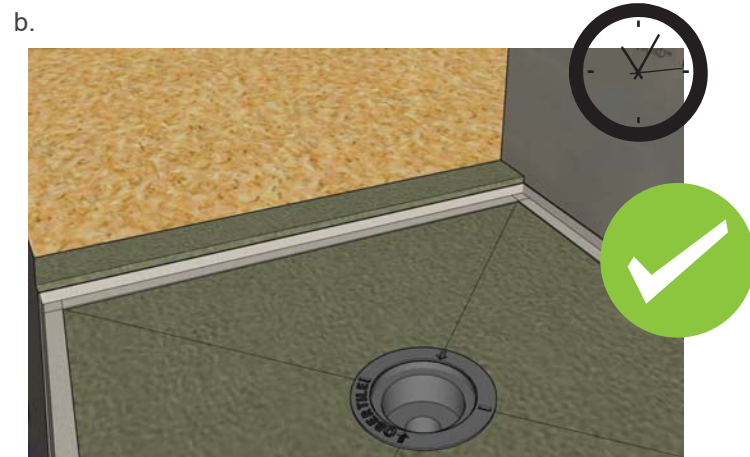


Install the “Curb”, pushing firmly into place.

## Installation: Step 3.



Spread “überseal™ sealant” flat, so it spreads a minimum 1” up the curb and 1” onto the Ubertile Presloped Shower Pan. If necessary apply additional “überseal™ sealant”.



Wait for thinset to cure before flood testing.