

## Waterproof Tileable Triangle Corner Seat Installation Manual



### Manual Contents:

- 1.1P - Necessary Tools and Materials
- 1.2P - Installation of Seat



scan for most current  
installation manuals



[WWW.UBERTILE.COM](http://WWW.UBERTILE.COM)

The information pertained within this guide is for reference only and does not supersede instructions from other product manufacturers or building codes.

Always consult and follow manufacturers specific installation and safety instructions BEFORE installing any products.

übertile™ bears no responsibility or liability for damage(s) resulting from the contents contained within this manual.

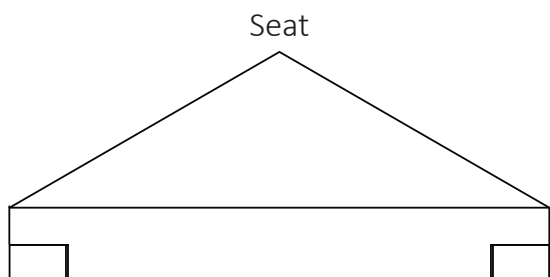
Information may change without notice. Visit [www.ubertile.com](http://www.ubertile.com) for most current revision.

All tasks performed by the product user are at the own risk and liability of the user.

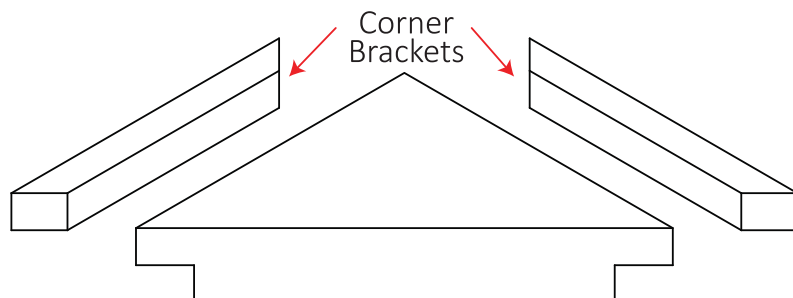


## 1.1P - Necessary Tools and Materials

View of Seat **Assembled**



View of Seat **Un-Assembled**



### Products required: (included)



Fiber Mesh



Washers x 6



Screws x 6

### Products required: (not included)



Modified Thinset Mortar  
ANSI A118.4 or A118.15



überseal™  
for non-steam shower  
applications

### Tools required:



Tape Measure



Marker / Pencil



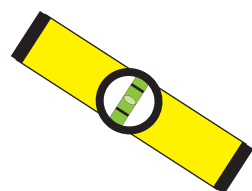
Screwdriver



Flat Spreader



300ml Caulking Gun



Spirit Level



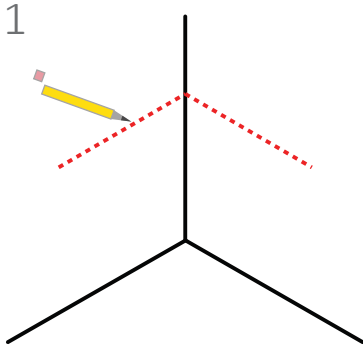
Power Drill

### Substrate Requirements:

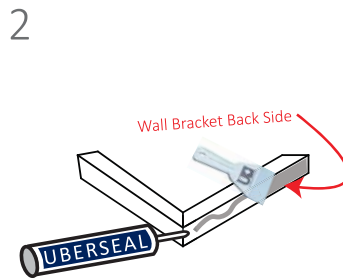
- The Ubertile Corner Seat is intended to be installed OVERTOP of 1/2" Ubertile Waterproof wall panels.
- Wood backing is required behind the 1/2" Ubertile Panels to properly fasten the seat.

## 1.2P - Instructions

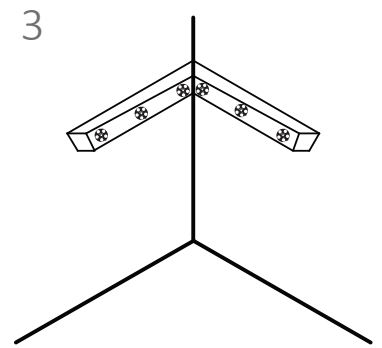
-Please ensure to slope seat top tile 2% or 1/4" per foot slope for water drainage.



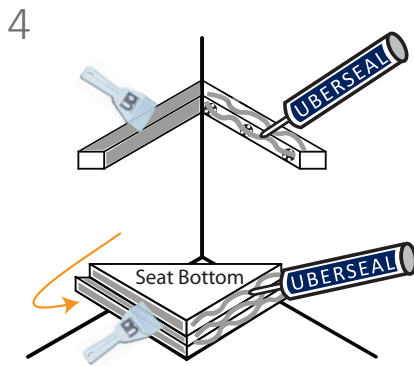
Mark on top of the installed and waterproofed backerboard 1/2" Uberboard Wall Panel where your seat is to be installed. Ensure you have wood backing behind the 1/2" Uberboard Wall Panels



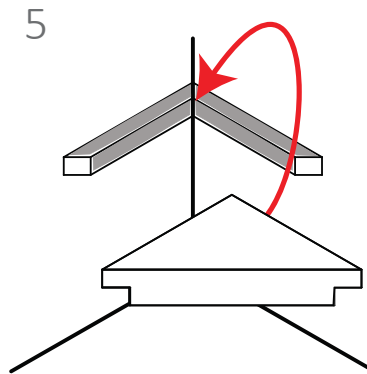
Apply liberal amount of Uberseal joint sealant to the back side of the corner bracket that will be affixed to the wall. Use a flat spreader to smooth the Uberseal.



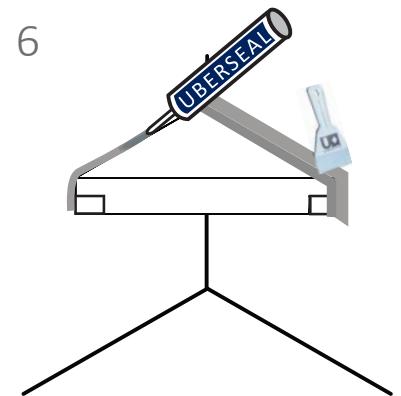
With the Uberseal still wet, press the corner bracket onto the wall in the proper position. Use 3 screws and 3 washers per bracket side to fasten to the wall.



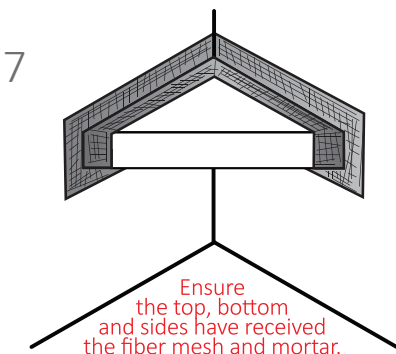
Apply Uberseal to the top and side of the corner bracket. Ensure the screw and washer are fully covered. Apply Uberseal under the seat where it will contact the wall and bracket. Smooth with a flat spreader.



With the Uberseal still wet, set the seat onto the wall brackets.



Apply bead of Uberseal to the entire perimeter of the seat and smooth with a trowel (with approximately 1" of Uberseal overlapping onto the wall panels for a proper seal.)



For maximum strength, once the Uberseal is cured, apply a Tile Thinset Mortar to the perimeter of the seat to wall connections and embed the fiber mesh tape into the mortar.