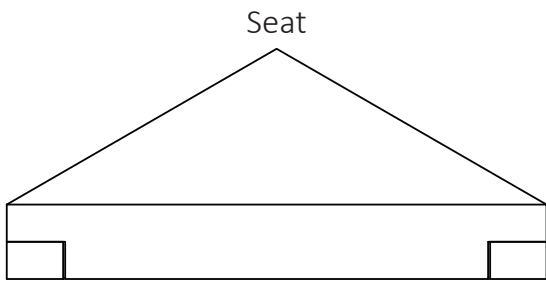


# Corner Seat Installation Guide

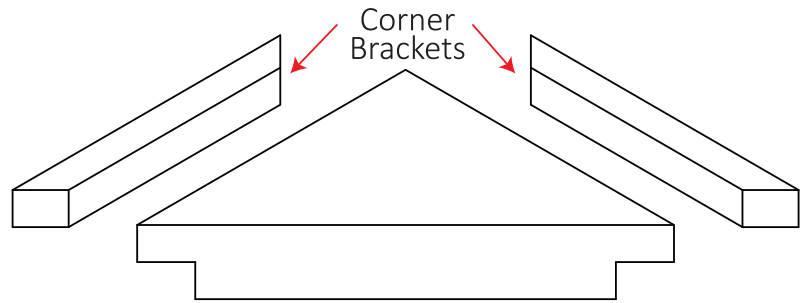
May 2019 Rev2



For most up-to-date instructions, visit [www.ubertile.com](http://www.ubertile.com)



View of Seat **Assembled**



View of Seat **Un-Assembled**

Uberseal



**Required Materials**  
(not Included)



ANSI A118.4

**Included Materials**

Fiber Mesh



Washers  
x6



Screws  
x6



**Recommended Tools** (not Included)

Level



Caulking Gun



Flat Spreader



Tape Measure



Power Drill



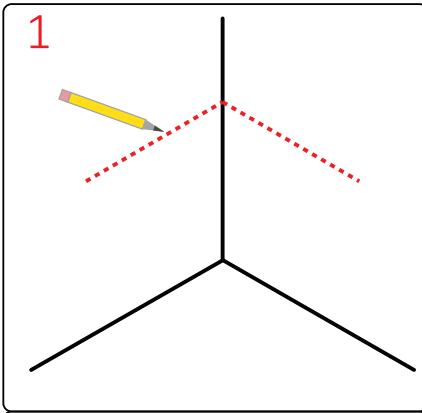
Marking  
Device



**Requirements:**

- The UberTile Corner Seat is intended to be installed OVERTOP of 1/2" Uberboard Waterproof wall panels.
- Wood backing is required behind the 1/2" Uberboard Panels to properly fasten the seat.

## Instructions:

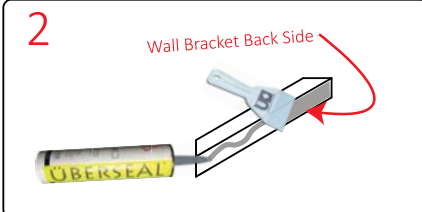


1

-Mark on top of the installed and waterproofed 1/2" Uberboard Wall Panel where your seat will be installed.

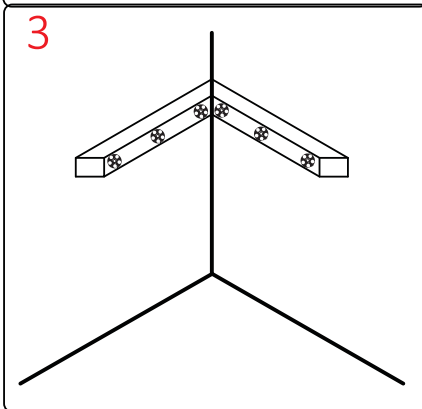
-Ensure you have wood backing behind 1/2" Uberboard Wall Panels.

-Make sure to allow 2% or 1/4" per foot slope for water drainage.



2

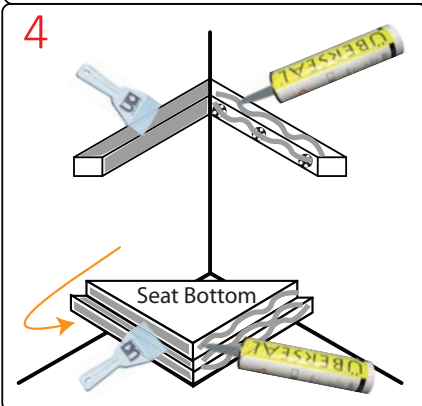
-Apply liberal amount of Uberseal joint sealant to the back side of the corner brackets that will be affixed to the wall. Use a flat spreader to smooth the Uberseal



3

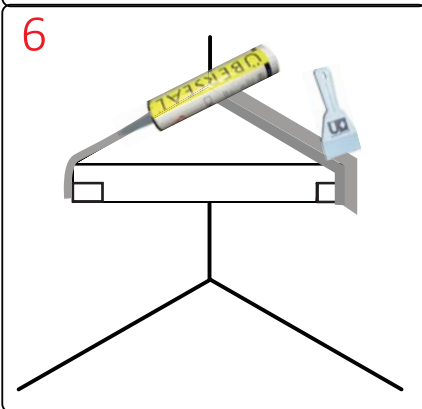
-With the Uberseal still wet, press the corner brackets onto the wall in the proper position.

-Use 3 screws and 3 washer per bracket to fasten the brackets.



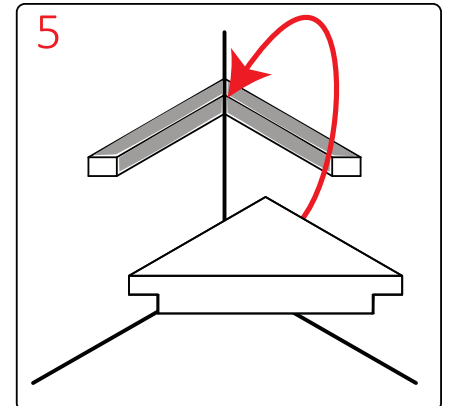
4

-Apply Uberseal to the top and side of the corner bracket. Ensure the screw and washer are fully covered. Apply Uberseal under the seat where it will contact the wall and bracket. Smooth with a flat spreader.



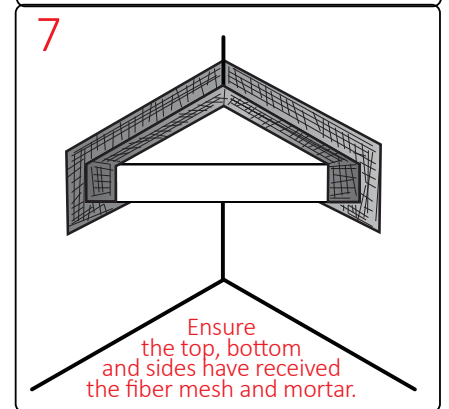
6

-Apply bead of Uberseal to the entire perimeter of the seat and smooth with a trowel with coverage approximately 1" of Uberseal overlapping onto the wall panels for a proper waterproof seal.



5

-With the Uberseal still wet, set the bench onto the wall brackets.



7

-For maximum strength, once the Uberseal is cured, apply Tile Thinsert Mortar to the perimeter of the seat to wall connections and imbed the fiber mesh tape into the mortar.

Ensure the top, bottom and sides have received the fiber mesh and mortar.