

# ÜBERTILE® Product Information Sheet

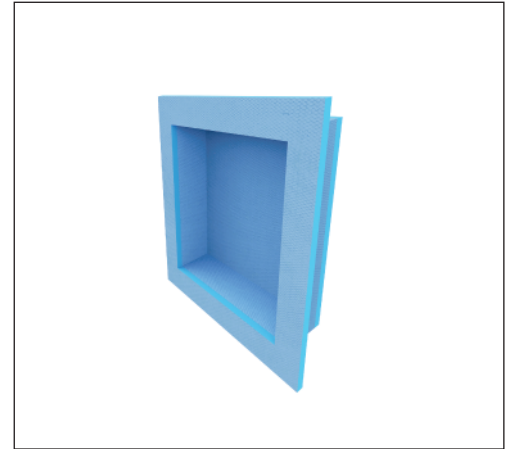
Category: **Shower Niche**

Model: **12"x12" Niche**

Shelf: **Included**

Part Number: **205-38204-4**

Reference Image



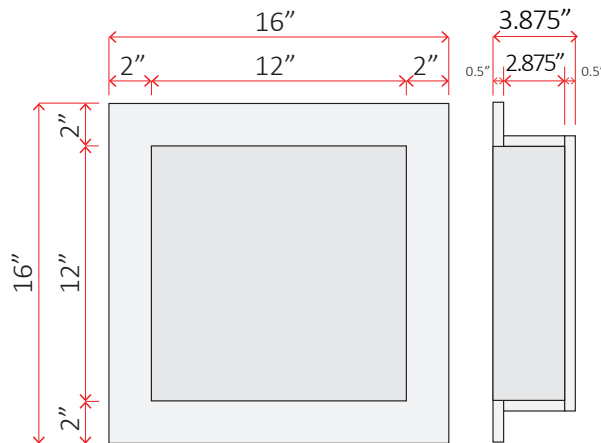
Specifications

**Dimensions:** 12"x12" Inside Measurement  
**Framing Requirement:** 16" O.C framing 2x4" depth  
**Installation Orientation:** Horizontal or Vertical  
**Composition:** Extruded Polystyrene (XPS)  
**Surface Material:** Cementitious  
**Shelf:** Included. 1-1/2" thick. Height Adjustable  
**Notes:** Not for steam shower use.  
Fasteners and Joint sealant not included.

Description

Fits into a 2x4 16" O.C wall cavity.  
Waterproof XPS foam core, easily integrated into übertile® waterproof wall panels, providing useful and attractive shower storage.  
Install vertically or horizontally.  
Shelf height can adjusted on site.

Technical Drawing



This document is intended to provide general information. Data may change without notice.  
The information shown is not an installation manual. Refer to website for full installation manual.

[www.ubertile.com](http://www.ubertile.com)

©Übertile® a division of the Rudiger Group Inc. All rights reserved



8 51594 00162 7