

ÜBERTILE® Product Information Sheet

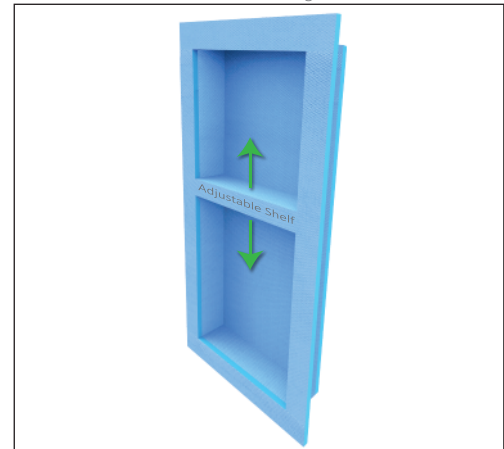
Category: **Shower Niche**

Model: **12"x28" Niche**

Shelf: **Included**

Part Number: **205-39270-9**

Reference Image



Specifications

Dimensions: 12"x24" Inside Measurement
Framing Requirement: 16" O.C framing 2x4" depth
Installation Orientation: Horizontal or Vertical
Composition: Extruded Polystyrene (XPS)
Surface Material: Cementitious
Shelf: Included. 1-1/2" thick. Height Adjustable
Notes: Not for steam shower use. Fasteners and Joint sealant not included.

Description

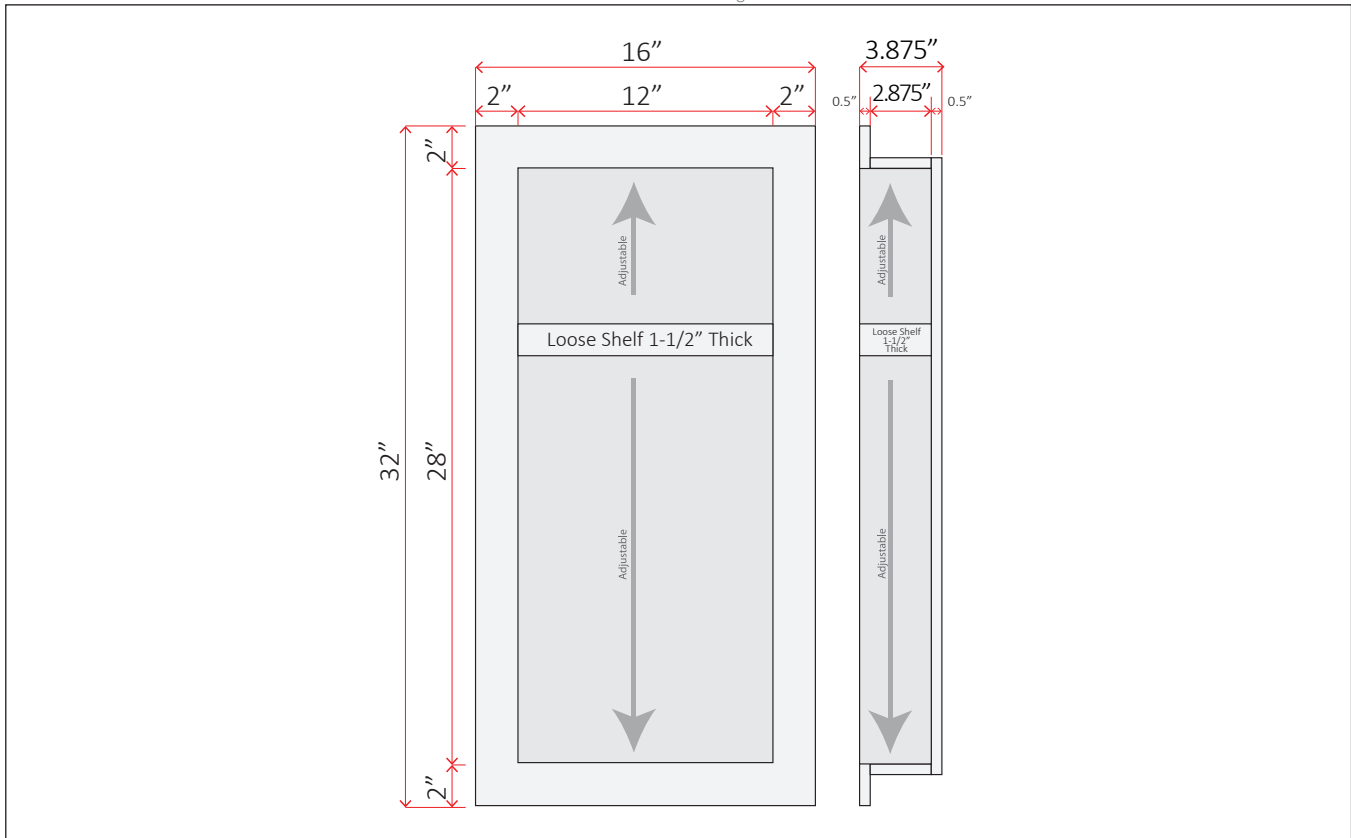
Fits into a 2x4 16"O.C wall cavity.

Waterproof XPS foam core, easily integrated into übertile® waterproof wall panels, providing useful and attractive shower storage.

Install vertically or horizontally.

Shelf height can adjusted on site.

Technical Drawing



This document is intended to provide general information. Data may change without notice. The information shown is not an installation manual. Refer to website for full installation manual.

www.ubertile.com

©Übertile® a division of the Rudiger Group Inc. All rights reserved

