

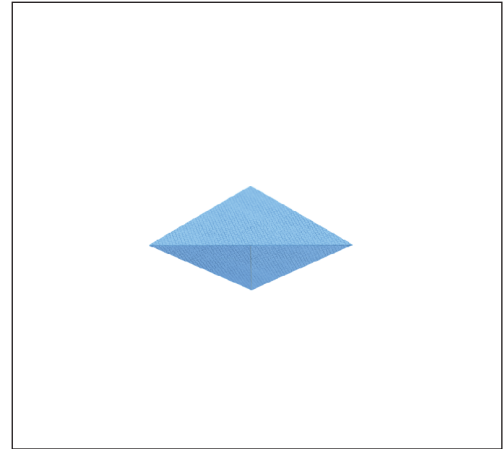
ÜBERTILE® Product Information Sheet

Category: **Shower Seat**

Model: **16" Triangle 3D**

Part Number: **205-39301-4**

Reference Image



Specifications

Dimensions: 16" x 16" x 16" (406.4 x 406.4 x 406.4mm)
Composition: Extruded Polystyrene (XPS)
Surface Material: Cementitious
Mounting Hardware: Included: Screws/Washers/Bracket/Mesh
Weight Capacity: 250lbs Maximum
Notes: To be mounted onto existing Uberboard wall panels, fastened to 16" O.C. studs with an appropriate backing.

Description

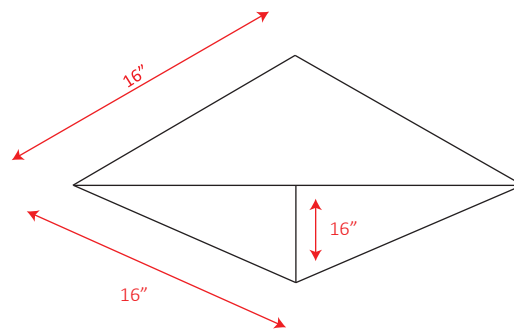
Waterproof XPS foam core, lightweight & strong.

Includes the required mounting hardware for quick and simple installation.

The floating corner design saves space while providing an attractive and functional shower seat.

Technical Drawing

Assembled View



This document is intended to provide general information. Data may change without notice. The information shown is not an installation manual. Refer to website for full installation manual.

www.ubertile.com

©UberTile® a division of the Rudiger Group Inc. All rights reserved

