



## Waterproof Triangle & Rectangle Seat Installation Manual



Manual Contents:

- 1.1P - Necessary Tools and Materials
- 1.2P - Cutting & Installation of Seat



scan for most current  
installation manuals



[WWW.UBERTILE.COM](http://WWW.UBERTILE.COM)

The information pertained within this guide is for reference only and does not supersede instructions from other product manufacturers or building codes.

Always consult and follow manufacturers specific installation and safety instructions BEFORE installing any products.

übertile™ bears no responsibility or liability for damage(s) resulting from the contents contained within this manual.

Information may change without notice. Visit [www.ubertile.com](http://www.ubertile.com) for most current revision.

All tasks performed by the product user are at the own risk and liability of the user.

rev 3-1-2021



## Required Materials Standard Shower:

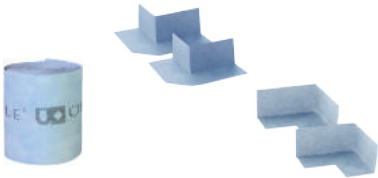


Uberseal  
Use with Uberboard  
Classic & Tech



ANSI A118.4 or  
A118.15 Thinset

## Required Materials Steam Shower:



Waterproof Fabric  
banding, inside and  
outside corners



ANSI A118.15 Thinset

## Required Tools:



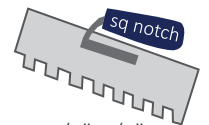
Level



Caulking Gun



Spreader



3/8"x3/8"  
sq-Notched Trowel



Marking Device

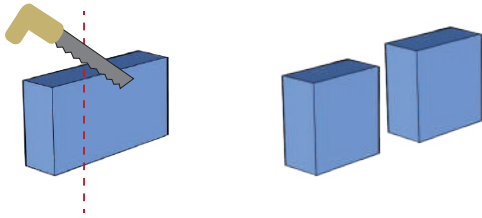


Handsaw or  
Circular Saw



Tape Measure

## Cutting Bench:

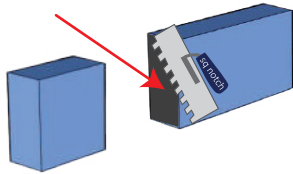


The length, width or height of the bench can be cut down.

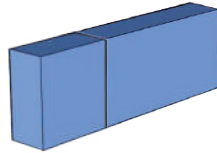
To cut the Bench, use a hand or circular saw to cut down to desired size.

Once the cut has been made, outwards facing / exposed XPS foam must be covered in thinset and alkali fibremesh before waterproofing and or tiling.

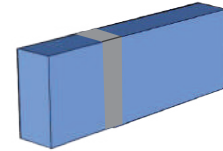
## Joining Benches:



To join together 2 benches, spread thinset using a 3/8" x 3/8" trowel onto the bonding areas.



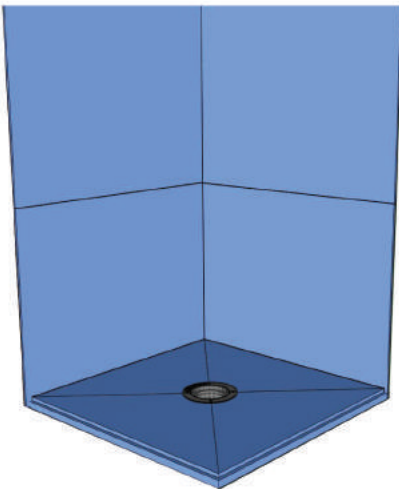
Press benches together firmly.



Seam must be waterproofed per instruction h) and i).

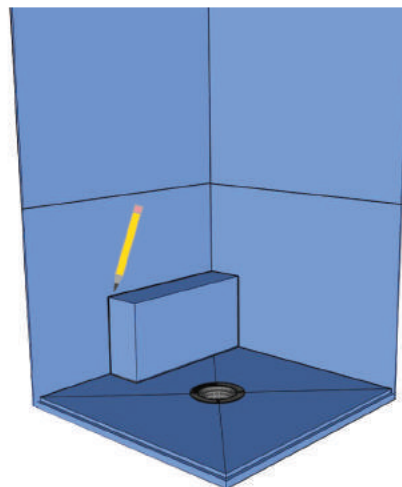
## Installation:

a)



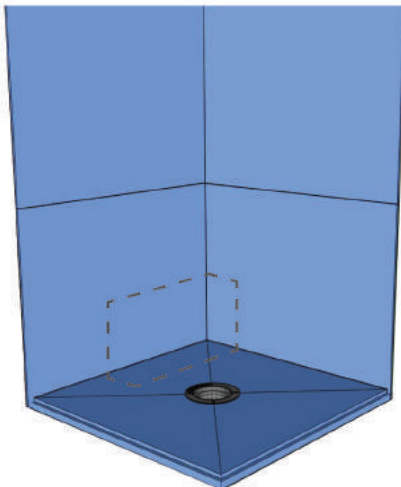
The Pre-sloped Shower Pan and Uberboard wall panels must be installed, with all seams waterproofed PRIOR to installing the Bench.

b)

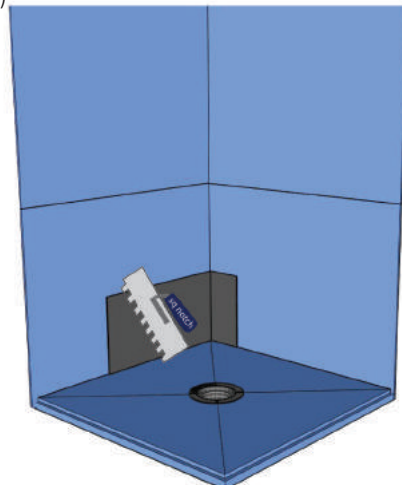


Set the Bench into place, tracing its location onto the wall and floor.

c)

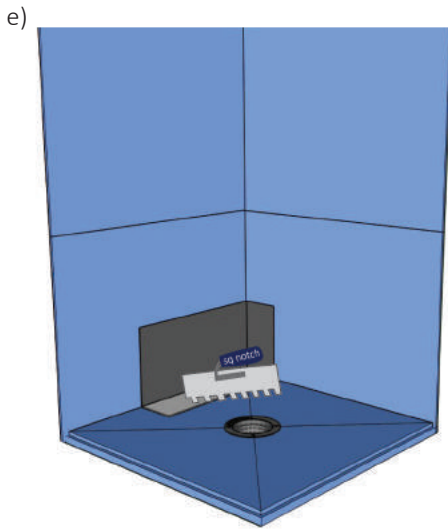


d)

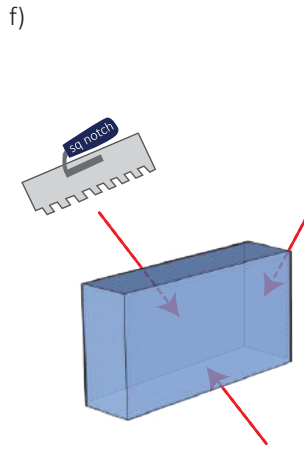


Spread thinset onto the wall using a 3/8" x 3/8" notched trowel.

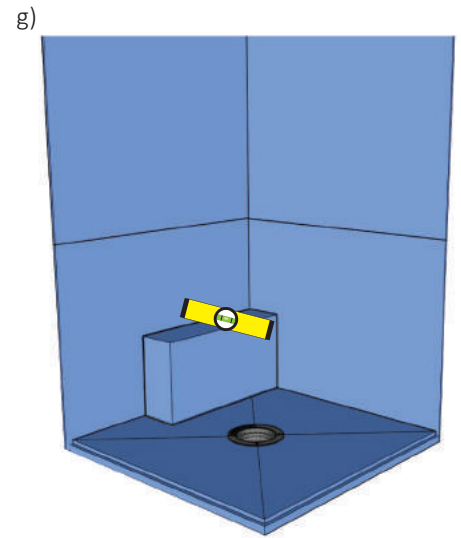
## Installation continued:



Spread thinset onto the floor using a 3/8" x 3/8" notched trowel.

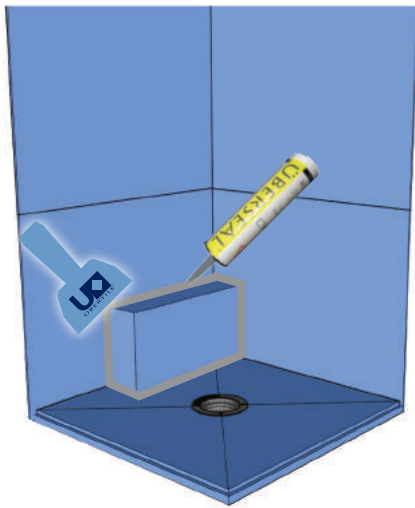


Using the flat side of the trowel, key thinset into the backsides & bottom of the Bench.



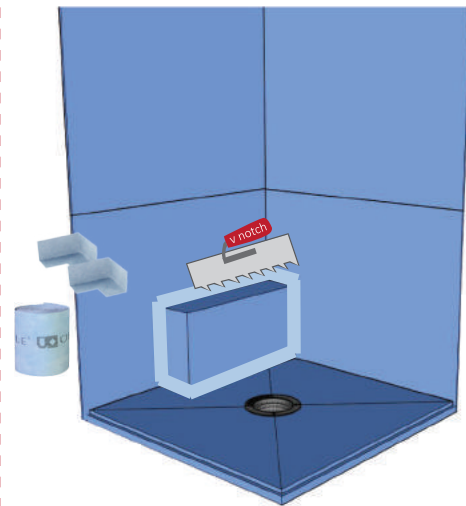
Install the bench into the fresh thinset, pressing firmly into place, to ensure full thinset transfer.  
Use a level to ensure 2% slope (1/4" per 12")

### h) For UberBoard Classic & Tech Panels



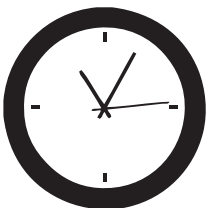
Apply Uberseal liberally to all Bench seams, tooling flat to create a minimum 1" overlap onto all surfaces.

### i) For Uberboard Vapor Panels



Apply thinset with a 1/4"x3/16" v-notch trowel embedding the waterproof fabric & corners into the wet thinset. Spread flat.

j)



Wait 24 hours before flood testing.