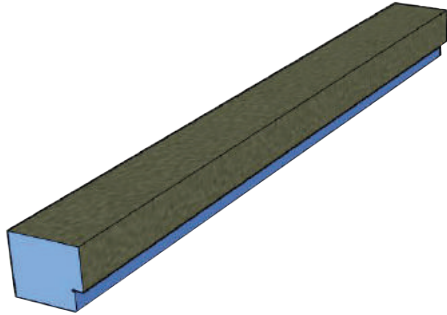


## Curb Installation / Instruction Manual

### Required Materials:



UbaU™ Shower Curb



überseal™ joint sealant



Thinset Mortar  
ANSI A118.4 or A118.5

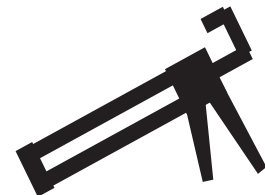
### Required tools:



Tape Measure



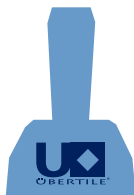
Hand Saw



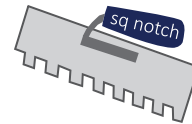
Caulking Gun



Marker / Pencil



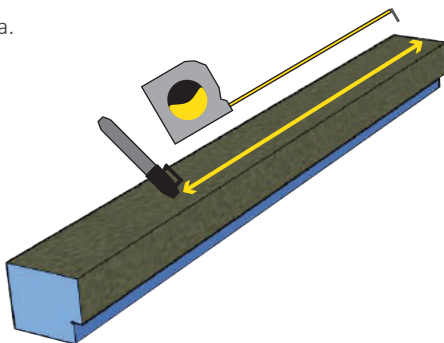
überseal™  
spreading tool



3/8" x 3/8" sq  
notched trowel

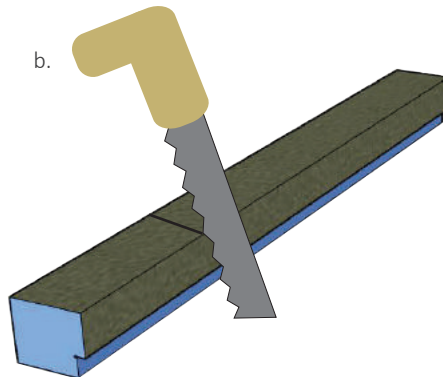
### Cutting UbaU™ Curb

a.



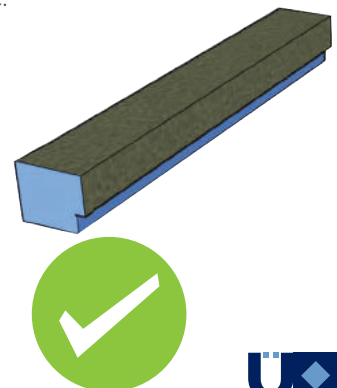
Measure "UbaU™ Shower Curb".

b.

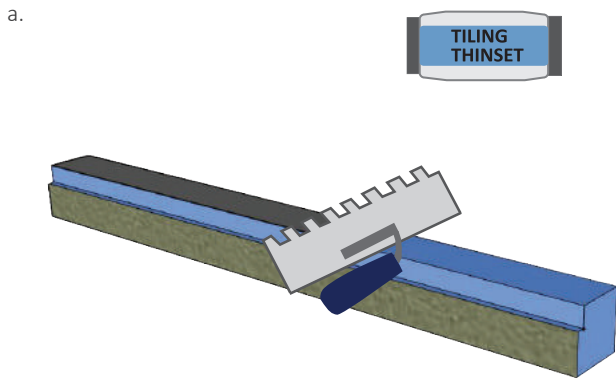


Use "Hand Saw" to cut.

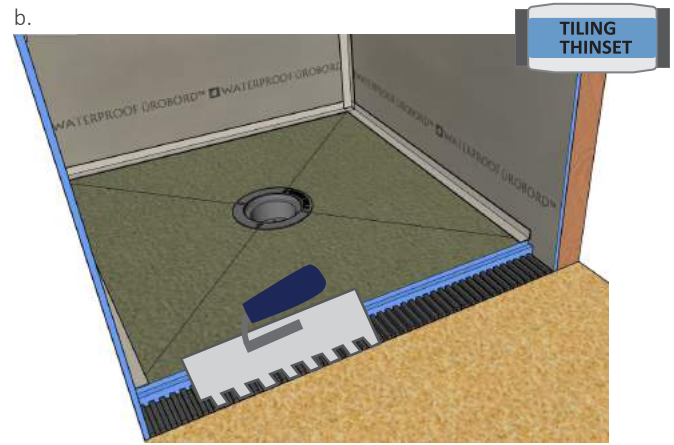
c.



## Installation: Step 1.

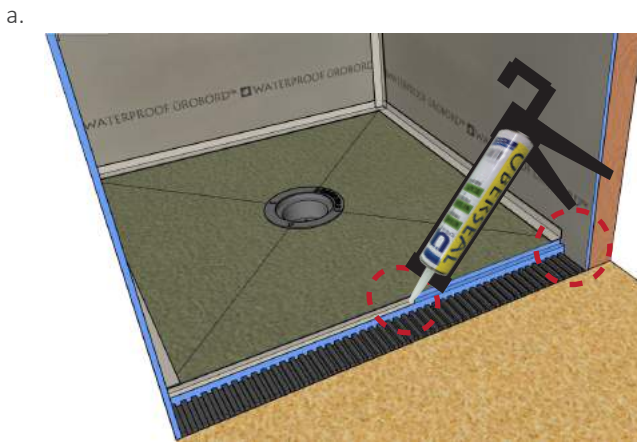


Using the **flatside** of the trowel, spread **“Tiling Thinset”** onto the **underside** of the **“Ubau™ curb”**.

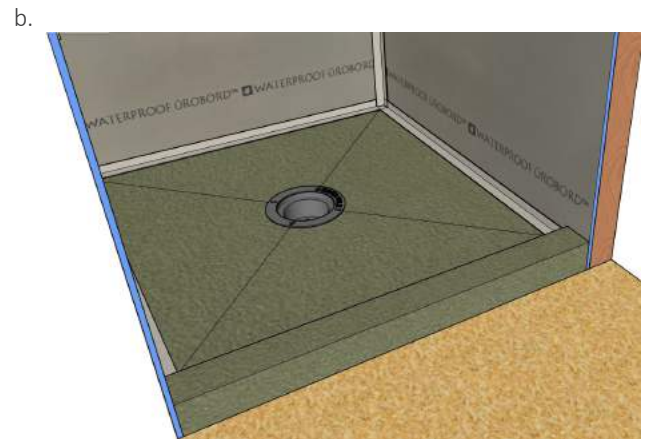


Using a **“3/8 x 3/8 notched trowel”**, spread **“Tiling Thinset”** onto the subfloor.

## Installation: Step 2.

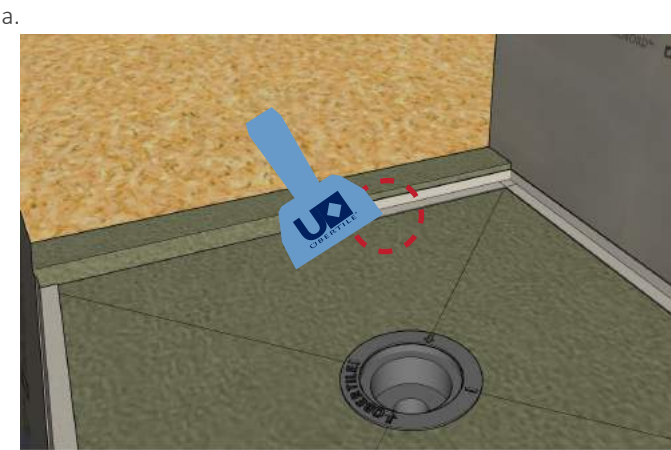


Apply a generous bead of **“überseal™ sealant”** to the groove on the **“Flo™ Shower Pan”** and where the **“Ubau™ Curb”** will meet the wall.

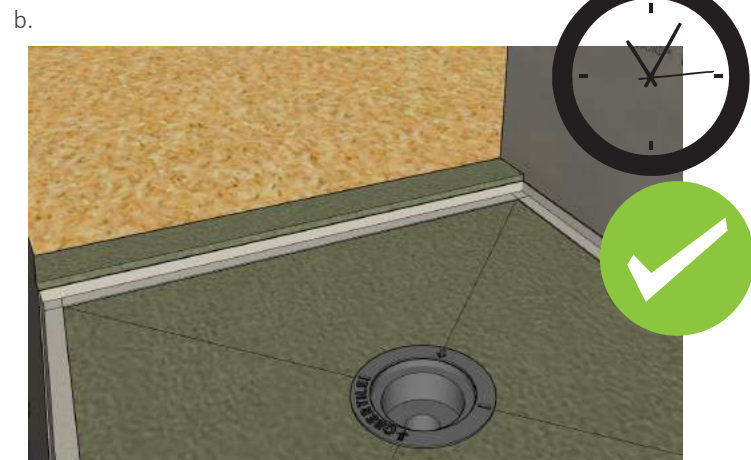


Install the **“Ubau™ Curb”**, pushing firmly into place.

## Installation: Step 3.



Spread **“überseal™ sealant”** flat, so it spreads a minimum **1”** up the curb and **1”** onto the shower base.  
If necessary apply additional **“überseal™ sealant”**.



Wait 24hours before tiling or flood testing.