

# ÜBERTILE® Product Information Sheet

Category: **Shower Pan**

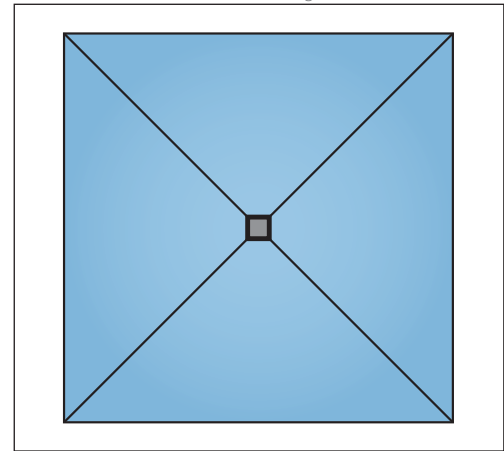
Model: **UBAUF66**

Drain Location: **Center**

Size: **72" x 72"**

Part Number: **205-38717-8**

Reference Image



Specifications

<b>Dimension:</b>	72" x 72" (1829mm x 1829mm)
<b>Perimeter Thickness:</b>	1.97" (50.00mm)
<b>Drain Requirement:</b>	Übertile ABS Drain Kit (sold separately)
<b>Plumbing Rough-in:</b>	2" ABS Pipe
<b>Core Composition:</b>	CNC Grade Extruded Polystyrene (XPS)
<b>Surface Material:</b>	Proprietary Quartz / Polyurethane blend
<b>Certification:</b>	cUPC™, IAPMO PS 106-2015e1 compliant

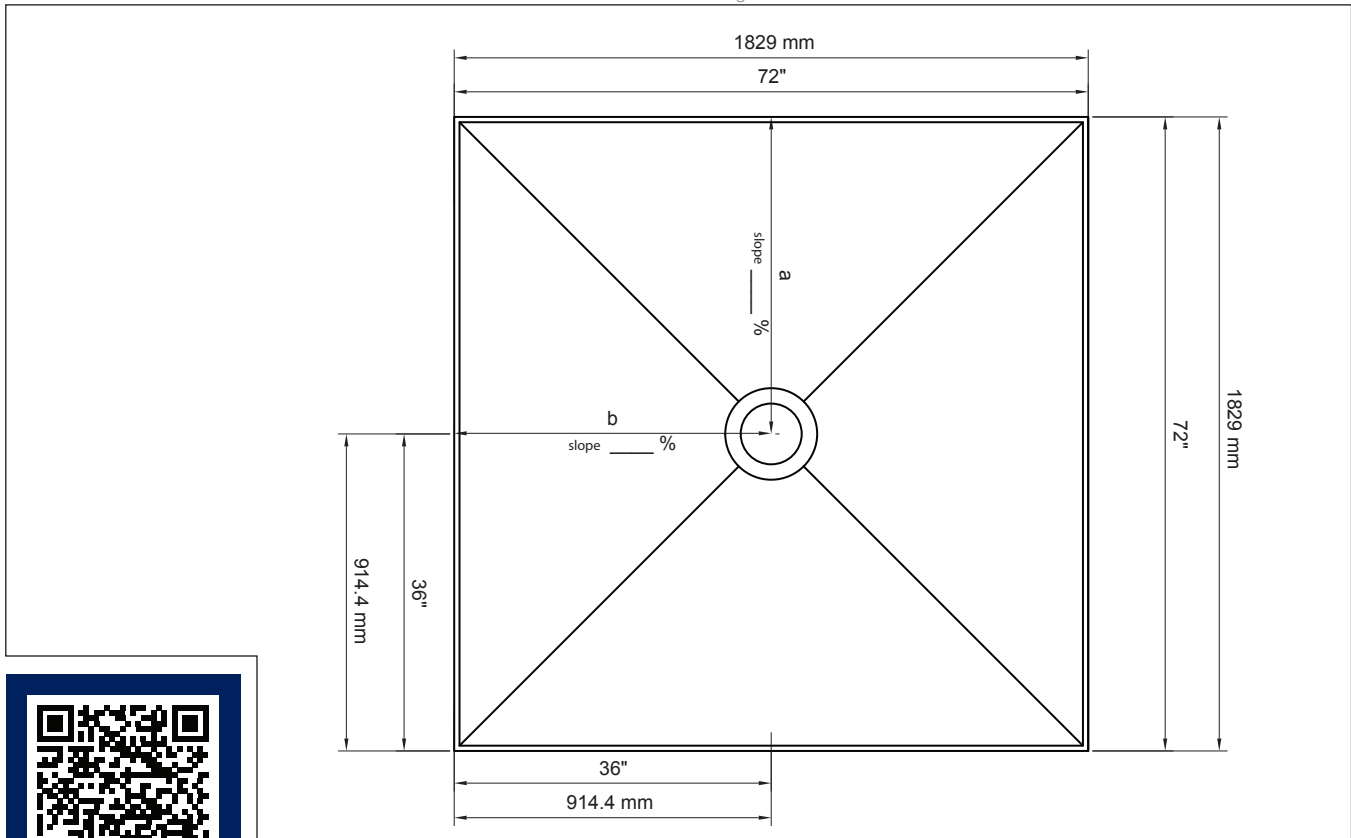
Description

Ready to tile, pre-sloped shower pan for use with Übertile® drain (sold separately).

Simple installation, the ability to cut to size on site and waterproof thanks to an XPS foam core.

Features a high compression bonding surface for strong thinset adhesion.

Technical Drawing



This document is intended to provide general information. Data may change without notice. The information shown is not an installation manual. Refer to website for full installation manual.

[www.ubertile.com](http://www.ubertile.com)

©Übertile® a division of the Rudiger Group Inc. All rights reserved

